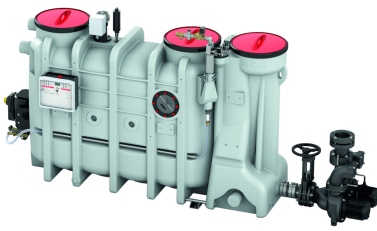


LipuSmart-P-OA Extension stage 3

Product information for the product group



ACO Product benefits

- Integrated backflow protection
- Only one vent stack necessary
- Compact installation dimensions: The pump technology can be flexibly installed on 3 sides
- Innovative overall system control via integration in the building control technology
- 4in1 – complete solution
- Optional Modbus connection
- Structural stability of the container with 25-year stability verification according to German Standard DIN 19901

- Program-controlled, odour-free disposal and cleaning by means of direct suction and hydromechanical internal cleaning

- Disposal connection DN 65, mating flange with Storz coupling 75B and blind connector 2½"

- Fill unit with solenoid valve
- Bluetooth interface (LipuSmart App/Android)

Item Technical Data 3560.76.42

Nominal capacity	Nominal width	Contents			Key data			Weight		Operation side
		Sludge trap [l]	Grease store [l]	Overall [l]	Type	P2 [kW]	To [l]	Empty [kg]	Full [kg]	
NS 10	DN 150	1000	520	2000	Pumpenset 4,0kW	4	235	412	2412	Right-hand



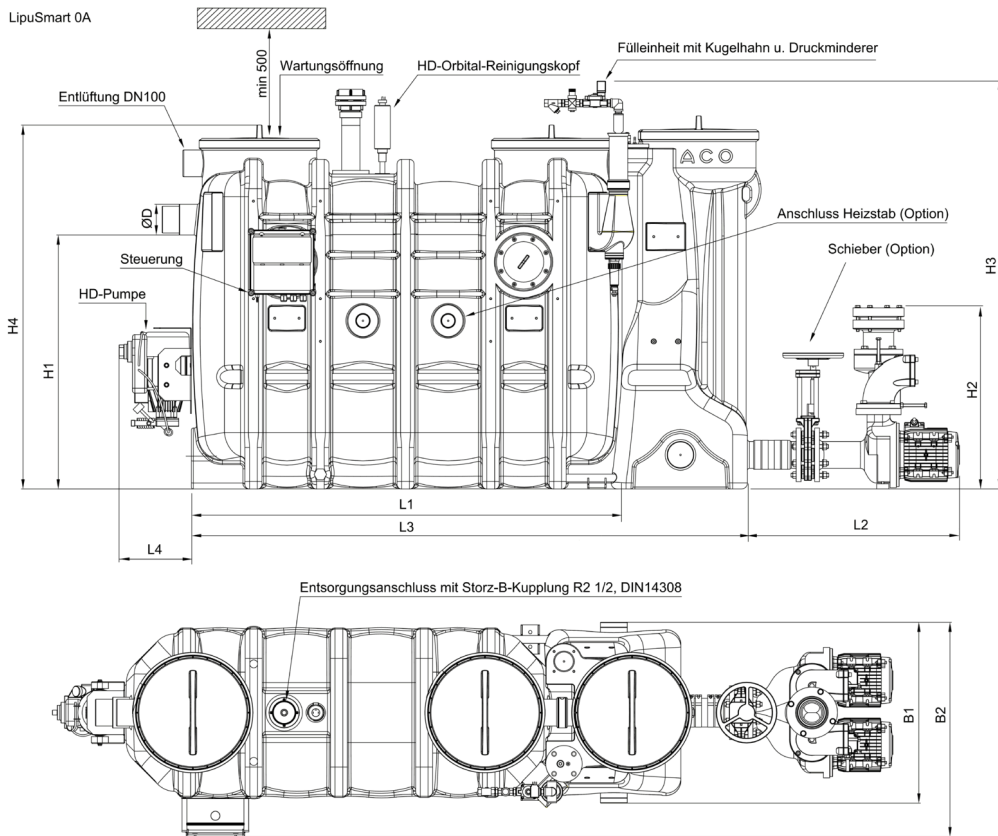
The LipuSmart pump technology can be flexibly **mounted on 3 sides** of the container.

For more information please visit: <https://www.buildingdrainage.aco/products>

Excluding errors and changes.

Infobox

Dimensions



dargestellt:
 NS 4, Bedienungsseite rechts,
 bei Bedienungsseite links sind die Bauteile
 (Entsorgungsanschluss, Füllereinheit,
 Schauglas, Steuerung) zur Mittelachse des
 Abscheiders spiegelbildlich angeordnet.

Nomi- nal ca- pacity	Dimensions												
	L1	L2	L3	L4	L5	H1	H2	H3	H4	W1	W2	B3	D
	[mm]	[mm]	[mm]	[mm]	[mm]	[mm]	[mm]	[mm]	[mm]	[mm]	[mm]	[mm]	[mm]
NS 10	2450	830	2977	300	680	1250	753	1880	1700	960	1130	1180	160



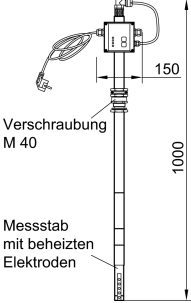
The LipuSmart pump technology can be flexibly **mounted on 3 sides** of the container.

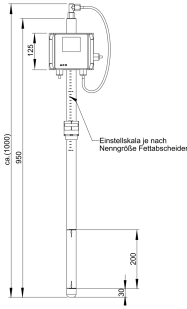
For more information please visit: <https://www.buildingdrainage.aco/products>

Excluding errors and changes.

Infobox

Accessories

	Description	Used with	Description	Item number
	Grease layer thickness measuring device	<ul style="list-style-type: none"> ■ LipuJet-P <ul style="list-style-type: none"> □ Oval NS 1 – 10 □ Round NS 2 – 20 ■ LipuJet-S <ul style="list-style-type: none"> □ Oval NS 1 – 10 □ Round NS 2 – 20 ■ LipuSmart-P <ul style="list-style-type: none"> □ Oval NS 1 – 10 	<ul style="list-style-type: none"> ■ For electronic measurement of layer of grease ■ Suitable for liquid and/or congealing grease ■ Measuring device with plug and used connecting cable, length: 3 m ■ With two voltage-free changeover contacts to display full warning (80%) and advance warning of fill level (50%) ■ With visual display of fill level ■ With heated probe rod to increase reliability of operation ■ Operating voltage: 230VAC/5 VA ■ Max consumption approx. 12W ■ Weight: 2.8 kg 	3300.11.50
	Heating rod	<ul style="list-style-type: none"> ■ LipuSmart OA/OAP 	<ul style="list-style-type: none"> ■ Weight: 15 kg 	0155.35.28
	Grease layer thickness measuring device Multi Control		<ul style="list-style-type: none"> ■ To determine the disposal intervals of grease separators ■ Suitable for liquid and/or harden fats ■ Delineation with colour-touchpanel ■ Continuous measure in percent ■ With integrated SD-card (4GB) for recording of the measuring process ■ With headed sounding stick (temperature is adjustable) to increase the operation safety ■ Three free of potential contacts for outoput of pre-alarm (adjustable), full-alarm (adjustable) and error ■ Measuring stick with adjusting scale ■ Delineation with plug-in cable connection, 3 m ■ Service voltage: 100 240VAC 50/60 Hz, 2 A ■ Power: ca. 43 W 	

	Description	Used with	Description	Item number
		LipuJet-P LipuJet-S LipuSmart-P	Weight: 2.7 kg	3300.12.50

You can find further accessories under → <https://www.buildingdrainage.aco/suche/?q=3560.76.42>



The LipuSmart pump technology can be flexibly **mounted on 3 sides** of the container.

For more information please visit: <https://www.buildingdrainage.aco/products>

Excluding errors and changes.

Infobox

Item number: 3560.76.42
Version: 25.10.2019
Page 4 of 4